

По вопросам продаж и поддержки обращайтесь:

Архангельск (8182)63-90-72
Астана (7172)727-132
Астрахань (8512)99-46-04
Барнаул (3852)73-04-60
Белгород (4722)40-23-64
Брянск (4832)59-03-52
Владивосток (423)249-28-31
Волгоград (844)278-03-48
Вологда (8172)26-41-59
Воронеж (473)204-51-73
Екатеринбург (343)384-55-89

Иваново (4932)77-34-06
Ижевск (3412)26-03-58
Казань (843)206-01-48
Калининград (4012)72-03-81
Калуга (4842)92-23-67
Кемерово (3842)65-04-62
Киров (8332)68-02-04
Краснодар (861)203-40-90
Красноярск (391)204-63-61
Курск (4712)77-13-04
Липецк (4742)52-20-81

Магнитогорск (3519)55-03-13
Москва (495)268-04-70
Мурманск (8152)59-64-93
Набережные Челны (8552)20-53-41
Нижний Новгород (831)429-08-12
Новокузнецк (3843)20-46-81
Новосибирск (383)227-86-73
Омск (3812)21-46-40
Орел (4862)44-53-42
Оренбург (3532)37-68-04
Пенза (8412)22-31-16

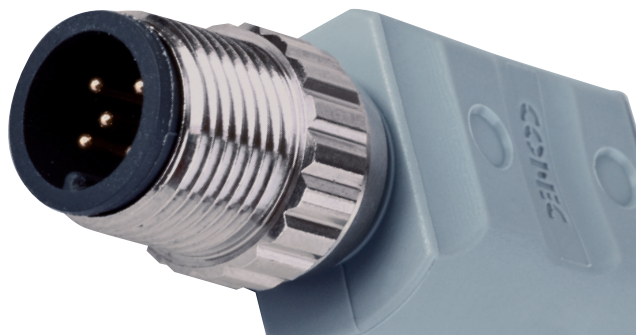
Пермь (342)205-81-47
Ростов-на-Дону (863)308-18-15
Рязань (4912)46-61-64
Самара (846)206-03-16
Санкт-Петербург (812)309-46-40
Саратов (845)249-38-78
Севастополь (8692)22-31-93
Симферополь (3652)67-13-56
Смоленск (4812)29-41-54
Сочи (862)225-72-31
Ставрополь (8652)20-65-13

Сургут (3462)77-98-35
Тверь (4822)63-31-35
Томск (3822)98-41-53
Тула (4872)74-02-29
Тюмень (3452)66-21-18
Ульяновск (8422)24-23-59
Уфа (347)229-48-12
Хабаровск (4212)92-98-04
Челябинск (351)202-03-61
Череповец (8202)49-02-64
Ярославль (4852)69-52-93

Единый адрес: ccn@nt-rt.ru | <http://www.conec.nt-rt.ru>

SECTION 10

JUNCTION SYSTEMS





SAL M8x1 / M12x1 Y-SPLITTER

Nomenclature

S A L - 1 2 - Y S 4 - 8 - 2 R K 3 - 03 / 03 / 03 K1

SAL
Sensor Actor Line

CONNECTION

Installation size

8 = M8x1
12 = M12x1

Coding

= A-coding (M12x1)
Standard (M8x1)

Design

Y = Y-Splitter
YR = Y-Splitter with cable

Gender

S = Male connector
K = Female connector

Number of poles

3 = 3-pos. 5 = 5-pos.
4 = 4-pos. 8 = 8-pos.

ALLOCATION

Installation size

8 = M8x1
12 = M12x1

Coding

= A-coding

Quantity

2 = 2 I/O-ports

Design

R = Circular connector
Y = Y-Splitter

Gender

K = Female connector
S = Male connector

Configuration

= axial
W = angled

Number of poles

3 = 3-pos. 5 = 5-pos.
4 = 4-pos. 8 = 8-pos.

Cable length

XX/XX/XX= Length [m]

Cable quality

K1 = TPU, black, high flexible, halogenfree, UL

SAL M8x1 / M12x1 Y-SPLITTER

Product specification

Basic material	
Contact	CuZn
Contact plating	Nickel plated, gold plated
Contact carrier	TPU GF, UL 94 / PA, UL
Overmould	TPU, UL 94, grey
Sealing	FPM
Coupling nut/-screw	GD-Zn, Ni

Technical Data

Information on the following pages are basing on below mentioned IEC-standards.

	M8	M12
Rated voltage	IEC 61076-2-104	IEC 61076-2-101
Current rating	IEC 61076-2-104	IEC 61076-2-101
Insulation resistance	IEC 60512	IEC 60512
Degree of pollution	IEC 60664-1	IEC 60664-1
Degree of protection	IEC 60529	IEC 60529
Mating cycles	IEC 60512-9a	IEC 60512-9a

Recommended torque M8: 0.4 Nm at SW 9

Recommended torque M12: 0.6 Nm at SW 13

Technical subject to change without notice.

SAL M8x1 / M12x1 DUO-SPLITTER

Nomenclature

S A L - 1 2 - D S 4 - 8 - 2 R K 3 - 03 / 03 / K1

SAL
Sensor Actor Line

CONNECTION

Installation size

8 = M8x1
12 = M12x1

Coding

= A-coding (M12x1), Standard (M8x1)

Design

D = DUO-Splitter

Gender

S = Male connector
K = Female connector

Number of poles

3 = 3-pos.
4 = 4-pos.
5 = 5-pos.

ALLOCATION

Installation size

8 = M8x1
12 = M12x1

Coding

= A-coding

Quantity

2 = 2 I/O-ports

Design

R = Circular connector with cable
D = DUO-Splitter

Gender

K = Female connector
S = Male connector

Building

= Axial
W = Angled

Number of poles

3 = 3-pos.
4 = 4-pos.
5 = 5-pos.

Cable length

XX/XX = Length [m]

Cable quality

K1 = TPU, black, high flexible, halogenfree, UL

SAL M8x1 / M12x1 DUO-SPLITTER

Product specification

Basic material	
Contact	CuZn
Contact plating	Nickel plated, gold plated
Contact carrier	TPU GF, UL 94 / PA, UL
Overmould	TPU, UL 94, grey
Sealing	FPM
Coupling nut/-screw	Cu-Zn, nickel plated

Technical Data

Information on the following pages are basing on below mentioned IEC-standards.

	M8	M12
Rated voltage	IEC 61076-2-104	IEC 61076-2-101
Current rating	IEC 61076-2-104	IEC 61076-2-101
Insulation resistance	IEC 60512	IEC 60512
Degree of pollution	IEC 60664-1	IEC 60664-1
Degree of protection	IEC 60529	IEC 60529
Mating cycles	IEC 60512-9a	IEC 60512-9a

Recommended torque M8: 0.4 Nm at SW 9

Recommended torque M12: 0.6 Nm at SW 13

Technical subject to change without notice.

SAL M8x1 / M12x1 / 7/8" T-SPLITTER / ADAPTER

Nomenclature

S A L - 1 2 - T S E 4 - T K E 4 - - R K E 4 - 03 / A1

SAL
Sensor Actor Line

CONNECTION

Installation size

12 = M12x1

7/8 = 7/8"

Coding

= A-coding

Design

T = T-Junction

Gender

S = Male connector

K = Female connector

Design

E = with stainless steel coupling nut/screw

Number of poles

2PE = 2-pos. + PE

5 = 5-pos.

4 = 4-pos.

8 = 8-pos.

4PE = 4-pos. + PE

ALLOCATION

Design

T = Circular connector

Configuration

K = Female connector

S = Male connector

Design

E = with stainless steel coupling nut/screw

Number of poles

2PE = 2-pos. + PE

5 = 5-pos.

4 = 4-pos.

8 = 8-pos.

4PE = 4-pos. + PE

Installation size

8 = M8x1

= M12x1

Design

R = Circular connector

T = T-Junction

Gender

K = Female connector

S = Male connector

Design

E = with stainless steel coupling nut/screw

Number of poles

2PE = 2-pos. + PE

5 = 5-pos.

4 = 4-pos.

8 = 8-pos.

4PE = 4-pos. + PE

Cable length

XX = Length [m]

Cable quality

A1 = PVC, grey

K1 = TPU, black, high flexible, halogenfree, UL

SAL M8x1 / M12x1 / 7/8" T-SPLITTER / ADAPTER

Product specification

Basic material	
Contact	CuZn
Contact plating	Nickel plated, gold plated
Contact carrier	TPU GF, UL / PA, UL
Overmould	TPU, UL 94, grey
Sealing	FPM (M8x1, M12x1)
Coupling nut/-screw	GD-Zn / Stainless steel

Technical Data

Information on the following pages are basing on below mentioned IEC-standards.

	M8	M12	7/8"
Rated voltage	IEC 61076-2-104	IEC 61076-2-101	IEC 60664-1
Overvoltage category			IEC 60664-1 2
Current rating	IEC 61076-2-104	IEC 61076-2-101	IEC 60512-3
Insulation resistance	IEC 60512	IEC 60512	IEC 60512
Degree of pollution	IEC 60664-1	IEC 60664-1	IEC 60664-1
Degree of protection	IEC 60529	IEC 60529	IEC 60529
Mating cycles	IEC 60512-9a	IEC 60512-9a	IEC 60512-9a

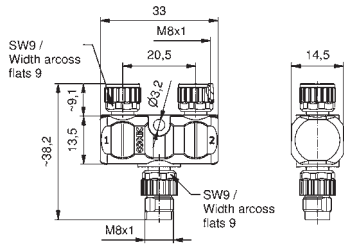
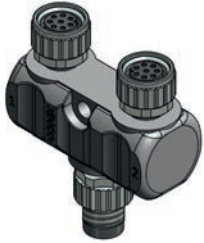
Recommended torque M8: 0.4 Nm at SW 9

Recommended torque M12: 0.6 Nm at SW 13

Technical subject to change without notice.

M8x1 JUNCTION BOXES
Y-splitter

Male connector M8x1
2x Female connector M8x1



Contact assignment	Number of poles Side A	Number of poles Side B	Number of poles Side C	Rated voltage [V]	Current rating [A]	Description	Part No.
	3	3	3	50 V AC / 60 V DC	3	SAL-8-YS3-2YK3	42-05102
	4	3	3	50 V AC / 60 V DC	3	SAL-8-YS4-2YK3	42-05103
	4	4	4	50 V AC / 60 V DC	3	SAL-8-YS4-2YK4	42-05104
	8	8	8	30	1,5	SAL-8-YS8-2YK8	42-05105

M12x1 JUNCTION BOXES Y-splitter

Male connector M12x1 axial
2x Female connector M12x1 axial

TPU, UL, halogenfree, black, Li9Y11Y

Contact assignment

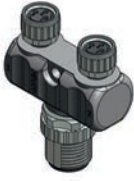
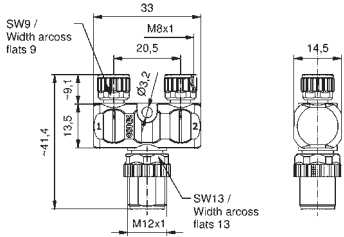
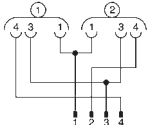
Number of poles side A	Number of poles side B	Number of poles side C	Coding	Rated voltage [V]	Current rating [A]	Wire cross section [mm ²]	Cable length = L [m]	Description	Part No.
5	5	5	A	60	4	0,34	0,6	SAL-12-YRS5-RK5-RK5-0,6/0,6/0,6/K1	43-05182
5	5	5	A	60	4	0,34	1,5	SAL-12-YRS5-RK5-RK5-1,5/1,5/1,5/K1	43-05183

TPU, UL, halogenfree, black, Li9Y11Y


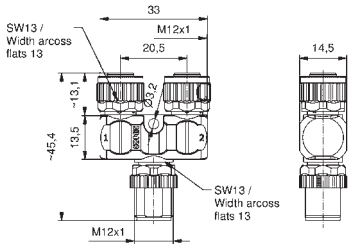
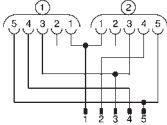
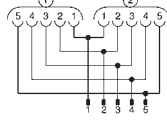
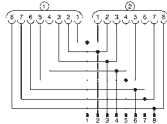
	5	5	5	A	60	4	0,34	0,3	SAL-12-YRS5-2YK5.2-0,3/K1	43-05189
	5	5	5	A	60	4	0,34	0,6	SAL-12-YRS5-2YK5.2-0,6/K1	43-05190
	5	5	5	A	60	4	0,34	0,3	SAL-12-YRS5-2YK5-0,3/K1	43-05191
	5	5	5	A	60	4	0,34	0,6	SAL-12-YRS5-2YK5-0,6/K1	43-05192
	8	8	8	A	30	2	0,25	0,3	SAL-12-YRS8-2YK8-0,3/K1	43-05193
	8	8	8	A	30	2	0,25	0,6	SAL-12-YRS8-2YK8-0,6/K1	43-05194

M12x1 JUNCTION BOXES
Y-splitter

Male connector M12x1
2 x Female connector M8x1

		Contact assignment	Number of poles Side A	Number of poles Side B	Number of poles Side C	Rated voltage [V]	Current rating [A]	Description	Part No.
			4	3	3	50 V AC / 60 V DC	3	SAL-12-YS4-8-2YK3	43-05185

Male connector M12x1
2 x Female connector M12x1

			5	5	5	60	4	SAL-12-YS5-2YK5.2	43-05186					
				5	5					5	60	4	SAL-12-YS5-2YK5	43-05187
					8					8				

M8x1 JUNCTION BOXES DUO-splitter

Male connector M8x1 axial
2 x Female connector M8x1 axial

PVC, grey, LiYY

Contact assignment

Number of poles side A	Number of poles side B	Number of poles side C	Rated voltage [V]	Current rating [A]	Wire cross section [mm ²]	Cable length = L [m]
------------------------	------------------------	------------------------	-------------------	--------------------	---------------------------------------	----------------------

Description Part No.

	3	3	3	50 V AC / 60 V DC	3	0,25	0,3	SAL-8-DS3-2RK3-0,3/0,3/A1	42-11780
							0,6	SAL-8-DS3-2RK3-0,6/0,6/A1	42-11781
							1,5	SAL-8-DS3-2RK3-1,5/1,5/A1	42-11782
							3	SAL-8-DS3-2RK3-3/3/A1	42-11783
	4	4	4	50 V AC / 60 V DC	3	0,25	0,3	SAL-8-DS4-2RK4-0,3/0,3/A1	42-11788
							0,6	SAL-8-DS4-2RK4-0,6/0,6/A1	42-11789
							1,5	SAL-8-DS4-2RK4-1,5/1,5/A1	42-11790
							3	SAL-8-DS4-2RK4-3/3/A1	42-11791

TPU, UL, halogenfree, black, Li9Y11Y

	3	3	3	50 V AC / 60 V DC	3	0,25	0,3	SAL-8-DS3-2RK3-0,3/0,3/K1	42-11776
							0,6	SAL-8-DS3-2RK3-0,6/0,6/K1	42-11777
							1,5	SAL-8-DS3-2RK3-1,5/1,5/K1	42-11778
							3	SAL-8-DS3-2RK3-3/3/K1	42-11779
	4	4	4	50 V AC / 60 V DC	3	0,25	0,3	SAL-8-DS4-2RK4-0,3/0,3/K1	42-11784
							0,6	SAL-8-DS4-2RK4-0,6/0,6/K1	42-11785
							1,5	SAL-8-DS4-2RK4-1,5/1,5/K1	42-11786
							3	SAL-8-DS4-2RK4-3/3/K1	42-11787

M8x1 JUNCTION BOXES DUO-splitter

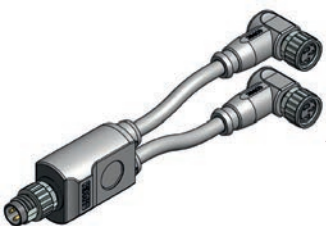
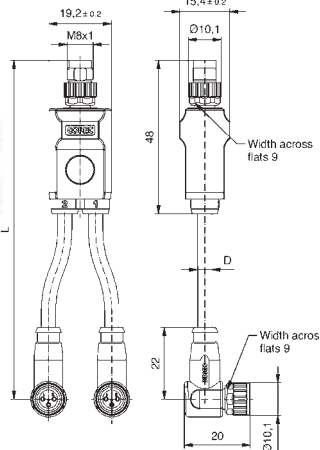
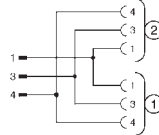
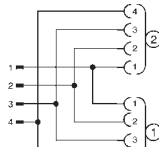
Male connector M8x1 axial
2 x Female connector M8x1 angled

PVC, grey, LiYY


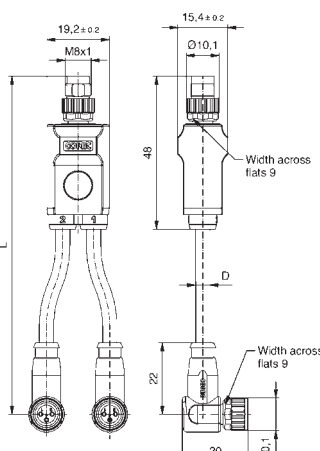
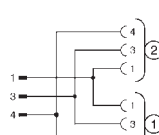
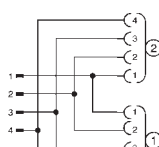
Contact assignment

Number of poles side A
Number of poles side B
Number of poles side C
Rated voltage [V]
Current rating [A]
Wire cross section [mm²]
Cable length = L [m]

Description
Part No.

			3	3	3	50 V AC / 60 V DC	3	0,25	0,3	SAL-8-DS3-2RKW3-0,3/0,3/A1	42-11796						
									0,6	SAL-8-DS3-2RKW3-0,6/0,6/A1	42-11797						
									1,5	SAL-8-DS3-2RKW3-1,5/1,5/A1	42-11798						
									3	SAL-8-DS3-2RKW3-3/3/A1	42-11799						
											50 V AC / 60 V DC	3	0,25	0,3	SAL-8-DS4-2RKW4-0,3/0,3/A1	42-11804	
															0,6	SAL-8-DS4-2RKW4-0,6/0,6/A1	42-11805
															1,5	SAL-8-DS4-2RKW4-1,5/1,5/A1	42-11806
															3	SAL-8-DS4-2RKW4-3/3/A1	42-11807

TPU, UL, halogenfree, black, Li9Y11Y

			3	3	3	50 V AC / 60 V DC	3	0,25	0,3	SAL-8-DS3-2RKW3-0,3/0,3/K1	42-11792						
									0,6	SAL-8-DS3-2RKW3-0,6/0,6/K1	42-11793						
									1,5	SAL-8-DS3-2RKW3-1,5/1,5/K1	42-11794						
									3	SAL-8-DS3-2RKW3-3/3/K1	42-11795						
											50 V AC / 60 V DC	3	0,25	0,3	SAL-8-DS4-2RKW4-0,3/0,3/K1	42-11800	
															0,6	SAL-8-DS4-2RKW4-0,6/0,6/K1	42-11801
															1,5	SAL-8-DS4-2RKW4-1,5/1,5/K1	42-11802
															3	SAL-8-DS4-2RKW4-3/3/K1	42-11803

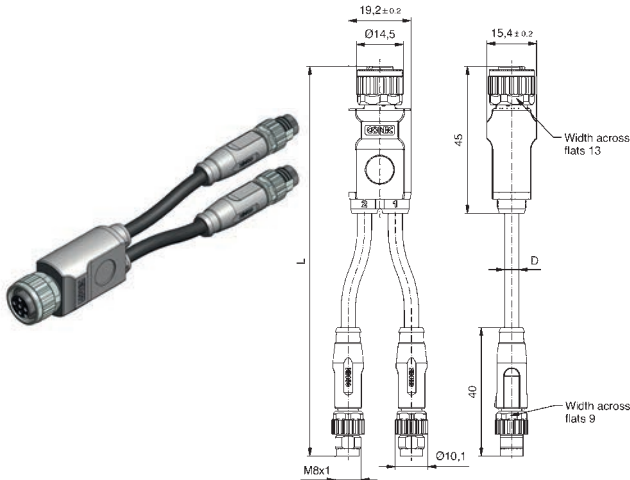
M12x1 JUNCTION BOXES DUO-splitter

Female connector M12x1 axial
2 x Male connector M8x1 axial

TPU, UL, halogenfree, black, Li9Y11Y

Contact assignment

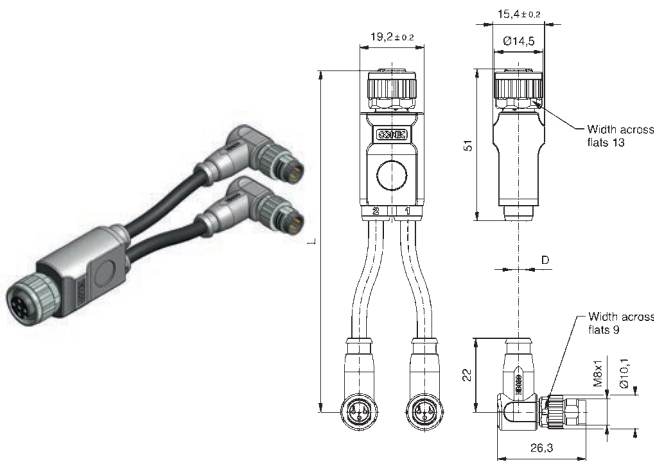
Number of poles side A	Number of poles side B	Number of poles side C	Rated voltage [V]	Current rating [A]	Wire cross section [mm ²]	Cable length = L [m]	Description	Part No.
4	3	3	50 V AC / 60 V DC	3	0,25		0,3 SAL-12-DK4-8-2RS3-0,3/0,3/K1	43-16267
							0,6 SAL-12-DK4-8-2RS3-0,6/0,6/K1	43-16268
							1,5 SAL-12-DK4-8-2RS3-1,5/1,5/K1	43-16269
							3 SAL-12-DK4-8-2RS3-3/3/K1	43-16270



Female connector M12x1 axial
2 x Male connector M8x1 angled

TPU, UL, halogenfree, black, Li9Y11Y

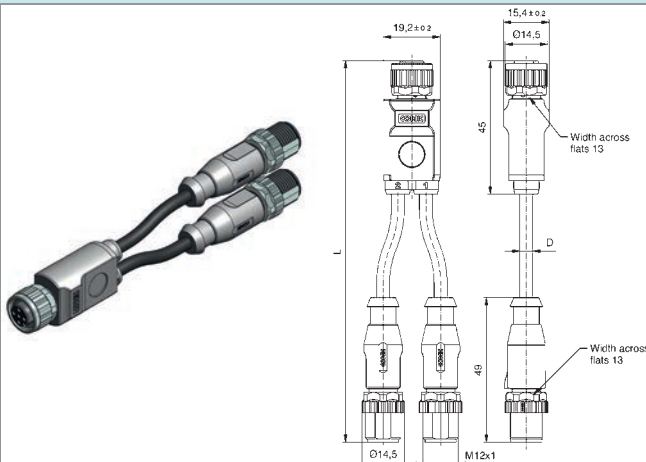
4	3	3	50 V AC / 60 V DC	3	0,25		0,3 SAL-12-DK4-8-2RSW3-0,3/0,3/K1	43-16276
							0,6 SAL-12-DK4-8-2RSW3-0,6/0,6/K1	43-16277
							1,5 SAL-12-DK4-8-2RSW3-1,5/1,5/K1	43-16278
							3 SAL-12-DK4-8-2RSW3-3/3/K1	43-16279



Female connector M12x1 axial
2 x Male connector M12x1 axial

TPU, UL, halogenfree, black, Li9Y11Y

5	5	5	60	4	0,34		0,3 SAL-12-DK5-2RS5.2-0,3/0,3/K1	43-16287
							0,6 SAL-12-DK5-2RS5.2-0,6/0,6/K1	43-16288
							1,5 SAL-12-DK5-2RS5.2-1,5/1,5/K1	43-16289
							3 SAL-12-DK5-2RS5.2-3/3/K1	43-16290



M12x1 JUNCTION BOXES DUO-splitter

Male connector M12x1 axial
2 x Female connector M8x1 axial

TPU, UL, halogenfree, black, Li9Y11Y

Contact assignment

Number of poles side A	Number of poles side B	Number of poles side C	Rated voltage [V]	Current rating [A]	Wire cross section [mm ²]	Cable length = L [m]
------------------------	------------------------	------------------------	-------------------	--------------------	---------------------------------------	----------------------

Description		Part No.
0,3	SAL-12-DS4-8-2RK3-0,3/0,3/K1	43-12463
0,6	SAL-12-DS4-8-2RK3-0,6/0,6/K1	43-12464
1,5	SAL-12-DS4-8-2RK3-1,5/1,5/K1	43-12465
3	SAL-12-DS4-8-2RK3-3/3/K1	43-12466

Male connector M12x1 axial
2 x Female connector M8x1 angled

TPU, UL, halogenfree, black, Li9Y11Y

Description		Part No.
0,3	SAL-12-DS4-8-2RKW3-0,3/0,3/K1	43-12467
0,6	SAL-12-DS4-8-2RKW3-0,6/0,6/K1	43-12468
1,5	SAL-12-DS4-8-2RKW3-1,5/1,5/K1	43-12469
3	SAL-12-DS4-8-2RKW3-3/3/K1	43-12470

Male connector M12x1
2 x Female connector M8x1

Description		Part No.
	SAL-12-DS4-8-2DK3	43-05117

M12x1 JUNCTION BOXES DUO-splitter

Male connector M12x1 axial
2 x Female connector M12x1 axial

TPU, UL, halogenfree, black, Li9Y11Y

Contact assignment

Number of poles side A	Number of poles side B	Number of poles side C	Rated voltage [V]	Current rating [A]	Wire cross section [mm ²]	Cable length = L [m]
------------------------	------------------------	------------------------	-------------------	--------------------	---------------------------------------	----------------------

Description		Part No.
0,3	SAL-12-DS5-2RK5.2-0,3/0,3/K1	43-12603
0,6	SAL-12-DS5-2RK5.2-0,6/0,6/K1	43-12604
1,5	SAL-12-DS5-2RK5.2-1,5/1,5/K1	43-12605
3	SAL-12-DS5-2RK5.2-3/3/K1	43-12606

Male connector M12x1 axial
2 x Female connector M12x1 angled

TPU, UL, halogenfree, black, Li9Y11Y

Description		Part No.
0,3	SAL-12-DS5-2RKW5.2-0,3/0,3/K1	43-12607
0,6	SAL-12-DS5-2RKW5.2-0,6/0,6/K1	43-12608
1,5	SAL-12-DS5-2RKW5.2-1,5/1,5/K1	43-12609
3	SAL-12-DS5-2RKW5.2-3/3/K1	43-12610

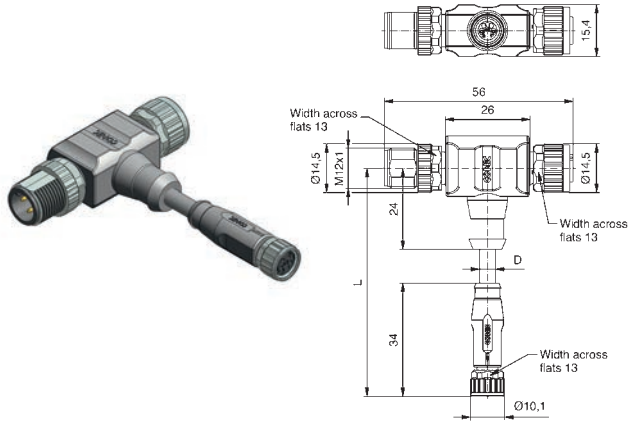
M12x1 JUNCTION BOXES
T-splitter

Male connector/Female connector M12x1
Female connector M8x1 axial

PVC, grey, LiYY

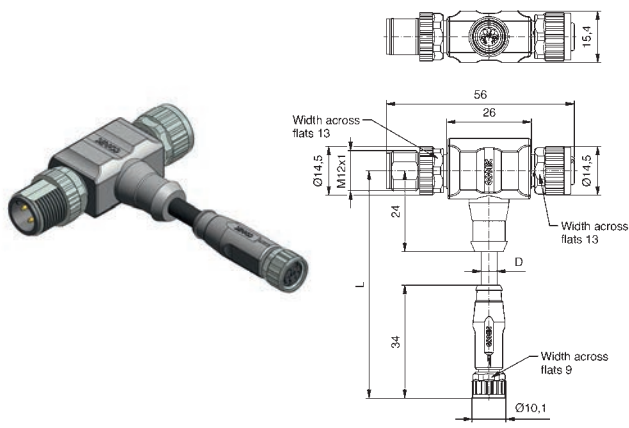
Contact assignment

Number of poles side A	Number of poles side B	Number of poles side C	Rated voltage [V]	Current rating [A]	Wire cross section [mm ²]	Cable length = L [m]	Description	Part No.
4	4	4	50 V AC / 60 V DC	3	0,25		0,3 SAL-12-TS4-TK4-8-RK4-0,3/A1	43-05122
							0,6 SAL-12-TS4-TK4-8-RK4-0,6/A1	43-05123



TPU, UL, halogenfree, black, Li9Y11Y

Number of poles side A	Number of poles side B	Number of poles side C	Rated voltage [V]	Current rating [A]	Wire cross section [mm ²]	Cable length = L [m]	Description	Part No.
4	4	4	50 V AC / 60 V DC	3	0,25		0,3 SAL-12-TS4-TK4-8-RK4-0,3/K1	43-05124
							0,6 SAL-12-TS4-TK4-8-RK4-0,6/K1	43-05125



M12x1 JUNCTION BOXES T-splitter

Male connector/Female connector M12x1
Female connector M12x1 axial

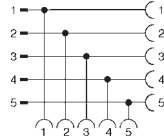
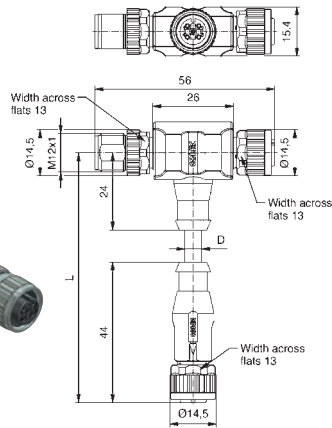
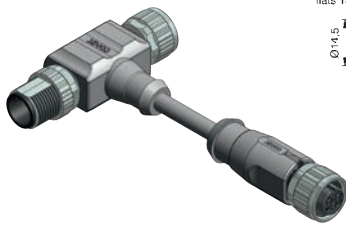
PVC, grey, LiYY

Contact assignment

Number of poles side A
Number of poles side B
Number of poles side C
Rated voltage [V]
Current rating [A]
Wire cross section [mm²]
Cable length = L [m]

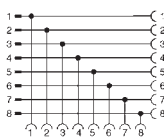
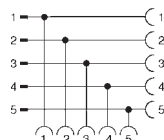
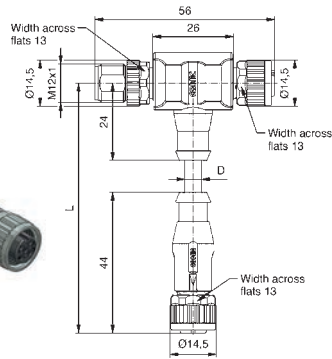
Description

Part No.



Number of poles side A	Number of poles side B	Number of poles side C	Rated voltage [V]	Current rating [A]	Wire cross section [mm ²]	Cable length = L [m]	Description	Part No.
5	5	5	60	4	0,34	0,3	SAL-12-TS5.1-TK5.1-RK5.1-0,3/A1	43-05118
5	5	5	60	4	0,34	0,6	SAL-12-TS5.1-TK5.1-RK5.1-0,6/A1	43-05119
8	8	8	30	2	0,25	0,3	SAL-12-TS8-TK8-RK8-0,3/A1	43-05126
8	8	8	30	2	0,25	0,6	SAL-12-TS8-TK8-RK8-0,6/A1	43-05127

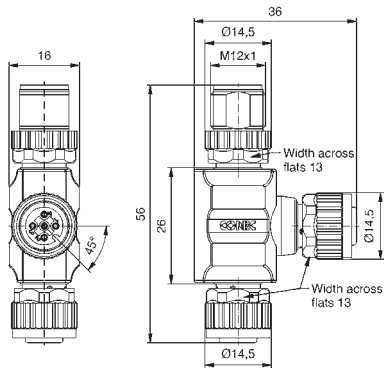
TPU, UL, halogenfree, black, Li9Y11Y



Number of poles side A	Number of poles side B	Number of poles side C	Rated voltage [V]	Current rating [A]	Wire cross section [mm ²]	Cable length = L [m]	Description	Part No.
5	5	5	60	4	0,34	0,3	SAL-12-TS5.1-TK5.1-RK5.1-0,3/K1	43-05120
5	5	5	60	4	0,34	0,6	SAL-12-TS5.1-TK5.1-RK5.1-0,6/K1	43-05121
8	8	8	30	2	0,25	0,3	SAL-12-TS8-TK8-RK8-0,3/K1	43-05128
8	8	8	30	2	0,25	0,6	SAL-12-TS8-TK8-RK8-0,6/K1	43-05129

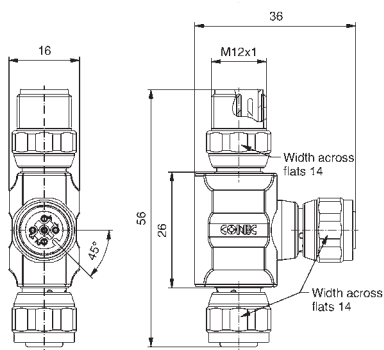
M12x1 JUNCTION BOXES
T-splitter

Male connector M12x1
2 x Female connector M12x1



Contact assignment	Number of poles Side A	Number of poles Side B	Number of poles Side C	Rated voltage [V]	Current rating [A]	Description	Part No.
	4	4	4	250	4	SAL-12-TS4-TK4-TK4	43-05115
	5	5	5	60	4	SAL-12-TS5-TK5-TK5	43-05116
	5	5	5	60	4	SAL-12-TS5.1-TK5.1-TK5.1	43-05114
	8	8	8	30	2	SAL-12-TS8-TK8-TK8	43-05142

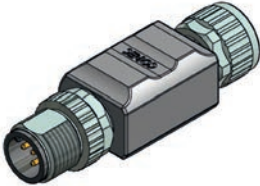
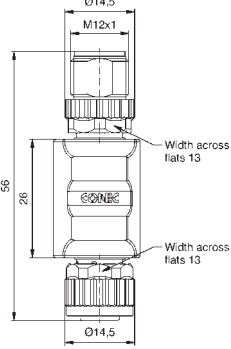
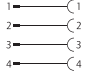
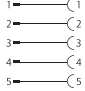
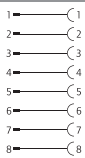
Male connector M12x1 – 2 x Female connector M12x1
Coupling nut and screw stainless steel




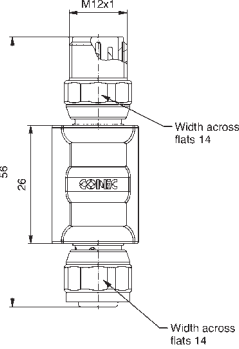
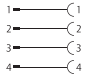
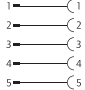
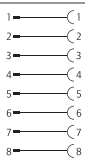
	4	4	4	250	4	SAL-12-TSE4-TKE4-TKE4	43-05155
	5	5	5	60	4	SAL-12-TSE5-TKE5-TKE5	43-05156
	5	5	5	60	4	SAL-12-TSE5.1-TKE5.1-TKE5.1	43-05154
	8	8	8	30	2	SAL-12-TSE8-TKE8-TKE8	43-05153

**M12x1 JUNCTION BOXES
Adapter**

Male connector M12x1
Female connector M12x1

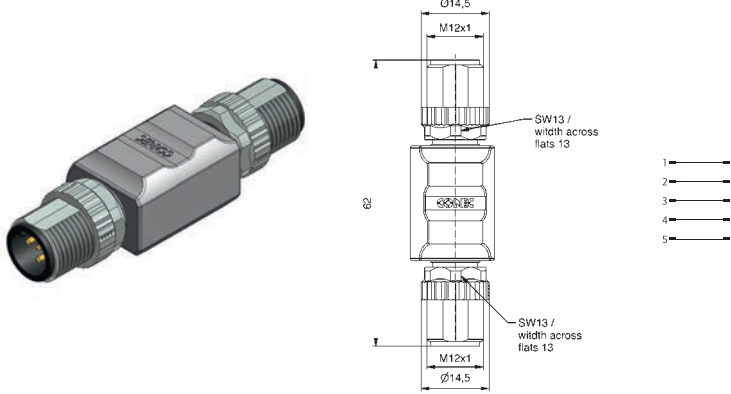
		Contact assignment	Number of poles Side A	Number of poles Side B	Rated voltage [V]	Current rating [A]	Description	Part No.
			4	4	250	4	SAL-12-TS4-TK4	43-05130
			5	5	60	4	SAL-12-TS5-TK5	43-05131
			8	8	30	2	SAL-12-TS8-TK8	43-05113

Male connector M12x1 – Female connector M12x1
Coupling nut and screw stainless steel

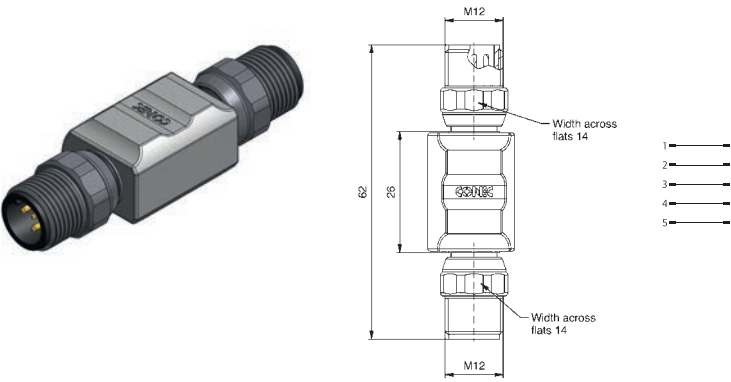
			4	4	250	4	SAL-12-TSE4-TKE4	43-05150
			5	5	60	4	SAL-12-TSE5-TKE5	43-05151
			8	8	30	2	SAL-12-TSE8-TKE8	43-05149

M12x1 JUNCTION BOXES
Adapter

Male connector M12x1
Male connector M12x1

Contact assignment	Number of poles Side A	Number of poles Side B	Rated voltage [V]	Current rating [A]	Description	Part No.
	5	5	60	4	SAL-12-TS5.1-TS5.1	43-05133

Male connector M12x1 – Male connector M12x1
Coupling nut and screw stainless steel

	5	5	60	4	SAL-12-TSE5.1-TSE5.1	43-05152
---	---	---	----	---	----------------------	----------

7/8" JUNCTION BOXES T-splitter

Male connector 7/8"
2 x Female connector 7/8"

Contact assignment	Number of poles Side A	Number of poles Side B	Number of poles Side C	Rated voltage [V]	Current rating [A]	Description	Part No.
	2+PE	2+PE	2+PE	250	10	SAL-7/8-TS2PE- TK2PE-TK2PE	41-30001
	4+PE	4+PE	4+PE	250	10	SAL-7/8-TS4PE- TK4PE-TK4PE	41-30002

По вопросам продаж и поддержки обращайтесь:

Архангельск (8182)63-90-72
Астана (7172)727-132
Астрахань (8512)99-46-04
Барнаул (3852)73-04-60
Белгород (4722)40-23-64
Брянск (4832)59-03-52
Владивосток (423)249-28-31
Волгоград (844)278-03-48
Вологда (8172)26-41-59
Воронеж (473)204-51-73
Екатеринбург (343)384-55-89

Иваново (4932)77-34-06
Ижевск (3412)26-03-58
Казань (843)206-01-48
Калининград (4012)72-03-81
Калуга (4842)92-23-67
Кемерово (3842)65-04-62
Киров (8332)68-02-04
Краснодар (861)203-40-90
Красноярск (391)204-63-61
Курск (4712)77-13-04
Липецк (4742)52-20-81

Магнитогорск (3519)55-03-13
Москва (495)268-04-70
Мурманск (8152)59-64-93
Набережные Челны (8552)20-53-41
Нижний Новгород (831)429-08-12
Новокузнецк (3843)20-46-81
Новосибирск (383)227-86-73
Омск (3812)21-46-40
Орел (4862)44-53-42
Оренбург (3532)37-68-04
Пенза (8412)22-31-16

Пермь (342)205-81-47
Ростов-на-Дону (863)308-18-15
Рязань (4912)46-61-64
Самара (846)206-03-16
Санкт-Петербург (812)309-46-40
Саратов (845)249-38-78
Севастополь (8692)22-31-93
Симферополь (3652)67-13-56
Смоленск (4812)29-41-54
Сочи (862)225-72-31
Ставрополь (8652)20-65-13

Сургут (3462)77-98-35
Тверь (4822)63-31-35
Томск (3822)98-41-53
Тула (4872)74-02-29
Тюмень (3452)66-21-18
Ульяновск (8422)24-23-59
Уфа (347)229-48-12
Хабаровск (4212)92-98-04
Челябинск (351)202-03-61
Череповец (8202)49-02-64
Ярославль (4852)69-52-93

Единый адрес: ccn@nt-rt.ru | <http://www.conec.nt-rt.ru>